



FRM220-OAB15

Single Channel EDFA Booster

The FRM220-OAB15 is a FRM220 chassis rack managed single channel Erbium Doped Fiber Amplifier (EDFA) booster line card for C-band. It has a large dynamic range while providing excellent broadband noise performance. It provides Automatic constant output Power Control (APC) and Automatic Constant Current (ACC) via rack management or RS-232 console interface. Its fast transient suppression feature allowing the output power to be kept at a constant level when there are fast changes in input power.

Features

- Single channel EDFA with FRM220 chassis rack management
- Up to 15 dBm output power
- Output level constant control mode
- Output current constant control mode
- Low noise figure
- Low power dissipation

Applications

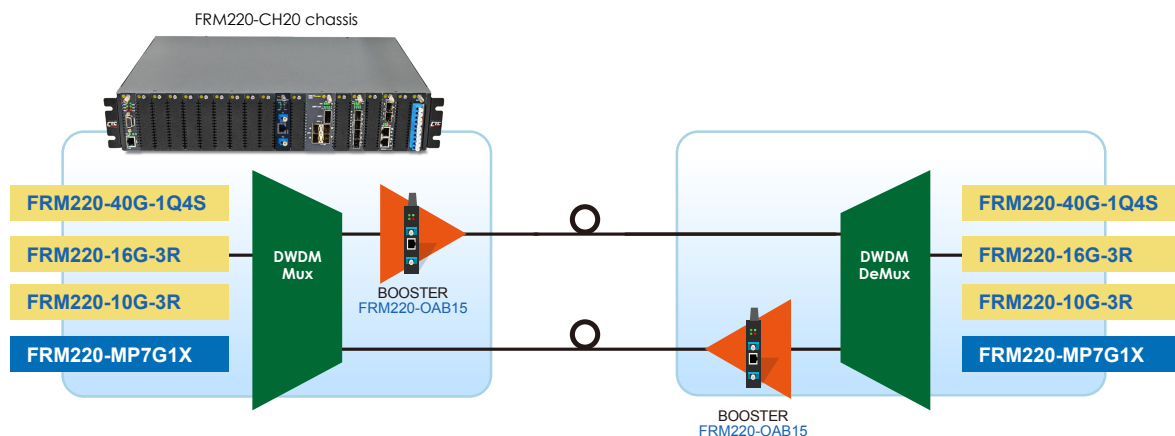
Booster Amplifier for 10Gbps, 40Gbps, and 100Gbps applications
Long haul C - band DWDM applications

Specifications

Parameter	Specifications			Remarks
	Units	Min.	Max.	
Wavelength Bandwidth	nm	1528	1562	
Input Power Range	dBm	-10	0	
Output Power Range	dBm		+15	@ Input Power = -6~0dBm
Noise Figure	dB		7.0	@ -6dBm input with 16dB gain
PDG	dB		0.5	
PMD	ps		0.5	
Power Consumption	W		2	
Operation Temperature	Degree C	-5	+70	
Storage Temperature	Degree C	-20	+70	
Transportation Temperature	Degree C	-40	+85	72 hrs max.
Dimensions	mm	155 x 88 x 23mm		

Application

EDFA booster DWDM P to P application



Ordering Information

Model Name	Description
FRM220-OAB15	Single Channel EDFA Booster card

Note: This card may use in CH01 standalone chassis or use CH01/AC/DC for power built-in type.

Naming Rule

