



## STE800A-232

### 8-Port RS232 to IP Device Server

The STE800A-232 is 8-port RS232 to IP Device Servers that enable the ability to control asynchronous RS-232 (3 or 5 wire) devices located virtually anywhere over a TCP/IP connection. The STE800A-232 has 8 DB9 serial ports and a 10/100 Mbps Ethernet connection on the same side. It connects serial devices such as PLC, alarm sensors and PTZ camera control to IP networks. Applications include industrial/factory automation, public safety and surveillance systems. The STE800A-232 Windows® driver is designed to control the IP Serial Server. The driver installs a virtual COM on Windows® which maps a COM port to the IP address of the IP Serial Server across the network, enabling the Windows® applications to access remote serial devices over Ethernet. IP Device Server can function as a server or client for TCP connection that provides a Serial over Ethernet solution. The application scenarios for the STE800A-232 is direct IP mode, virtual COM mode, or paired mode.

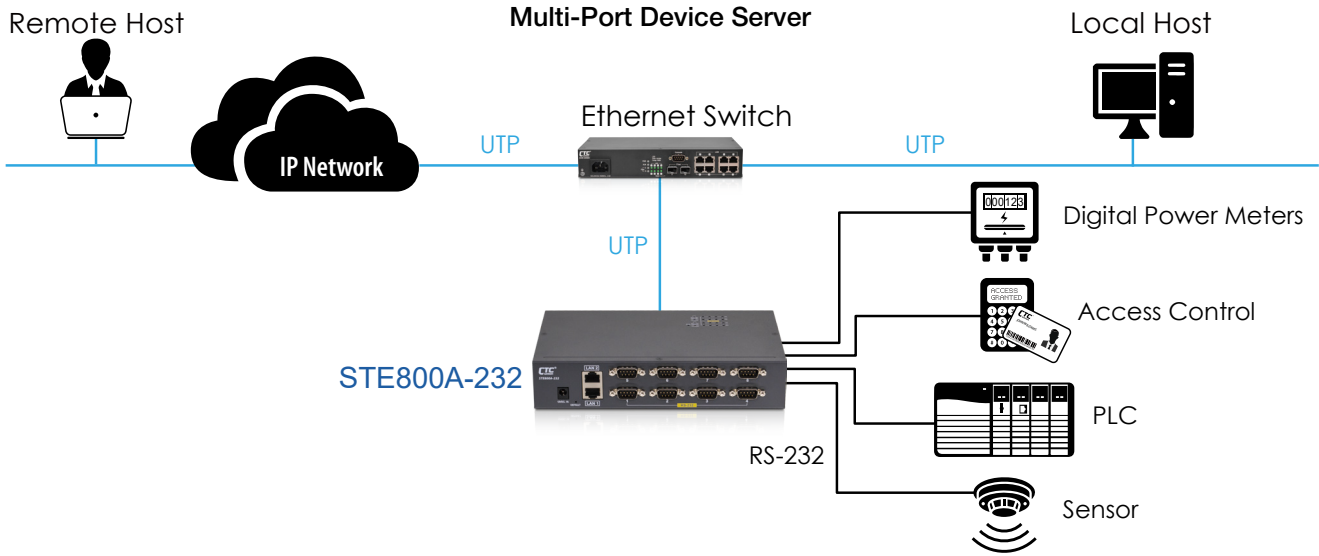
### // Features

- 10/100Mbps Ethernet port
- 921.6kbps serial interface (software programmable)
- TCP Server, TCP client, Paired or Virtual com modes
- Supports Virtual COM application software
- Easy to use with Windows® utility
- Supports RS232 Interface with physical DB9M port
- Configuration by web browser, Telnet
- Low power consumption with 12VDC input
- Wall mount

### // Specifications

<b>General</b>	LED	TP Link/Act, Data TX/RX
	OS supported	Windows XP / 2000 / 2003 / 2008 / VISTA / WIN7 / WIN8 / WIN10
<b>Serial Interface</b>	RS232	
<b>Serial Connector</b>	DB9M	
<b>Baudrate</b>	50 to 921.6kbps	
<b>Data bits</b>	5, 6, 7, 8	
<b>Stop bits</b>	1, 1.5 for Data bits 5 mode; 1, 2 for data bits 6, 7, 8 mode	
<b>Parity</b>	None, Even, Odd	
<b>Flow Control</b>	None or RTS / CTS for RS-232, XON/XOFF	
<b>Data Packing Delimiter</b>	1,2	
<b>LAN Interface</b>	RJ-45 connector, IEEE802.3 10/100Base-TX	
<b>Communication Modes</b>	TCP Server, TCP Client, Virtual COM mode, UDP	
<b>Protocols</b>	TCP, UDP, IP, ARP, ICMP, HTTP, DHCP	
<b>Management</b>	Web browser, Firmware upgrade, Telnet	
<b>Security</b>	Password Access	
<b>Power</b>	12VDC external switching power adapter	
<b>Operating Temperature</b>	0 ~ 60°C	
<b>Storage Temperature</b>	-10 ~ 70°C	
<b>Humidity</b>	0 ~ 90% non-condensing	
<b>DIN rail mount</b>	DIN-Rail Mounting Kit (Optional)	
<b>Panel mount</b>	Yes	
<b>Dimensions</b>	215 × 130 × 44mm (W×D×H)	
<b>Certifications</b>	CE, FCC	
<b>MTBF</b>	65,000 Hours	

// Application



// Ordering Information

Model Name	Description
STE800A-232	8-port RS232 serial server with DB9M port and AC power adapter

■ Package List

- One device of the series
- 12V DC switching power adapter