

ITP-500

IP56, 5x 10/100Base M12

- ▲ M12 connector for Ethernet and Power
- ▲ Slim and Fanless Design
- ▲ EN50155, EN50121-4, EN61000-6-2, EN61000-6-4, CE and FCC certified



An EN50155 certified M12 type Ethernet switch, ITP-500 has 5 10/100Base-TX Fast Ethernet ports, fanless, IP56 protection, designed for industrial applications in harsh environments, and utilizes M12 connectors to ensure waterproof, sturdy connections and guaranteed reliable operation without environmental disturbances such as vibration and shock. EN50155 certification covers critical regulation of operating temperature, mains input voltage, surge, ESD, vibration and shock, making it suitable for industrial applications such as vehicles, rolling stock and factory automation.

Features

- Use M12 connector anti vibration and shock for vehicle, rolling stock, and railway applications
- Slim design
- DC input power 12/24/48VDC (8.4~60VDC)
- Wide operating temperature -40~75° C (ITP-500-E)
- CE, FCC, EN50155 and EN50121-4 for railway certified
- Industrial Grade EMS, EMI, EN61000-6-2, EN61000-6-4 certified

Specifications

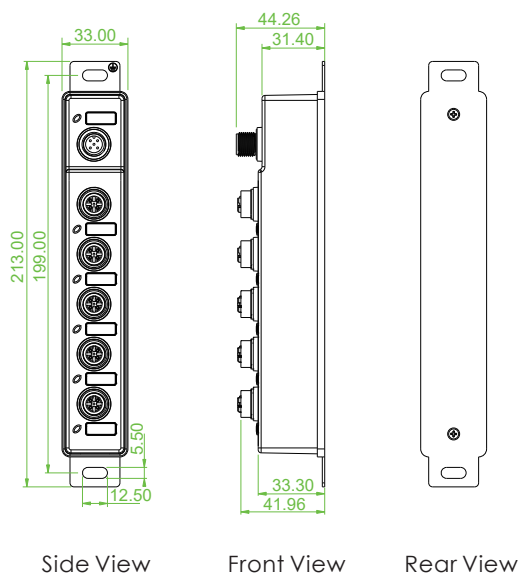
IEEE Standard	IEEE 802.3	10Base-T Ethernet
	IEEE 802.3u	100Base-TX Fast Ethernet
	IEEE 802.3x	Flow Control and Back Pressure
Switch Architecture	Back-plane (Switching Fabric): 1Gbps (Full wire-speed)	
Data Processing	Store and Forward	
Flow Control	IEEE 802.3x flow control, back pressure flow control	
MAC Address Table	1 K	
Packet Buffer Size	448Kbits	
Network Connector	5x M12 D-code Female	
	10/100Base-TX Auto negotiation speed	
	Auto MDI/MDI-X function	
	Full/Half duplex	
Network Cable	UTP/STP Cat. 5e cable above	
	EIA/TIA-568 100-ohm (100meter)	
Protocols	CSMA/CD	
LED	Per unit: Power (Green)	
	Per port: Link/Active (Green)	
Reverse Polarity Protection	Present for power input	
Overload Current Protection	Supported	
Power Supply	DC 12/24/48V (8.4~60VDC) Input power	

Power Connector	5 Pin Male A-Code M12								
Power Consumption	<table border="1"> <thead> <tr> <th>Input Voltage</th> <th>ITP-500</th> </tr> </thead> <tbody> <tr> <td>12VDC</td> <td>0.8W</td> </tr> <tr> <td>24VDC</td> <td>1.0W</td> </tr> <tr> <td>48VDC</td> <td>1.9W</td> </tr> </tbody> </table>	Input Voltage	ITP-500	12VDC	0.8W	24VDC	1.0W	48VDC	1.9W
Input Voltage	ITP-500								
12VDC	0.8W								
24VDC	1.0W								
48VDC	1.9W								
Operating Temperature	-40°C~75°C								
Operating Humidity	5% to 95% (Non-condensing)								
Storage Temperature	-40°C~85°C								
Housing	IP56 Rugged housing, and fanless								
Dimensions	44.3 x 33 x 213 mm (D x W x H)								
Weight	150g								
Installation Mounting	Wall mounting								
MTBF	2,315,383 Hours (MIL-HDBK-217)								
Warranty	5 years								

Certification

EMC	CE
EMI	FCC, FCC Part 15 Subpart B Class A, CE
Railway Traffic	EN50155, EN50121-4
Immunity for Heavy Industrial Environment	EN61000-6-2
Emission for Heavy Industrial Environment	EN61000-6-4
EMS (Electromagnetic Susceptibility) Protection Level	EN61000-4-2 (ESD) Level 3, Criteria B
	EN61000-4-3 (RS) Level 3, Criteria A
	EN61000-4-4 (Burst) Level 3, Criteria A
	EN61000-4-5 (Surge) Level 3, Criteria B
	EN61000-4-6 (CS) Level 3, Criteria A
	EN61000-4-8 (PFMF, Magnetic Field) Field Strength: 300A/m, Criteria A
Shock	IEC 61373
Freefall	IEC 60068-2-32
Vibration	IEC 61373

Dimensions



Side View

Front View

Rear View

Ordering Information

Model Name	Total Port	UTP Port M12	Redundant Power Supply	Certification				Shock Vibration	Operating Temperature
		10/100Base-TX		12/24/48VDC (8.4~60VDC)	EN50155	EN50121-4	EN61000-6-2 EN61000-6-4	CE FCC	
ITP-500-E	5	5	1	V	V	V	V	V	-40~75°C

Optional Accessories

Optional Cable/Connector

P/N: CAB-M12DM4-RJ45

M12 D-code Male (4-Pin) to RJ-45, AWG 24, IP67, 1 meter



For FE UTP

P/N: CAB-M12AF5-OPEN

M12 A-code Female (5-Pin) to open wire, AWG 22, IP67, 1 meter



For Power

P/N: M12D-M4

M12 D-code Male (4-Pin) connector, IP67



For FE UTP

P/N: M12A-F5

M12 A-code Female (5-Pin) connector, IP67



For Power