

ITP-1204GTM-12PH

12x 10/100Base M12 + 4x GbE M12 with 12x PoE 120W, 24/48/72/110VDC

- ▲ EN50155, EN50121-4, EN45545-2, EN61000-6-2, EN61000-6-4, CE and FCC certified
- ▲ 24/48/72/96/110VDC redundant dual input power
- ▲ Regulated PoE output voltage
- ▲ Auto checking and auto reset when PoE PD fail
- ▲ 4KV surge protection for PoE and UTP ports



The ITP series models are managed, industrial grade, L2 Fast Ethernet PoE (Power over Ethernet) switches that provide 12x 10/100Base-TX and 4x 10/100/1000Base-T(X) ports. Up to 12 IEEE 802.3at compliant PoE plus ports are classified as power source equipment (PSE) and provide up to 30 watts of power per port with a maximum power budget of 120W. Housed in rugged wall mountable enclosures, these switches are designed for IEEE 802.3af/at compliant powered devices (PDs), such as surveillance cameras, wireless access points, and IP phones. The PoE switches use M12 connectors to ensure tight, robust connections and guarantee reliable connections against vibration and shock. These models are also compliant with EN50155, covering power input voltage, surge, EFT, ESD, vibration and shock, making these switches suitable for industrial applications, such as vehicle, rolling stock, or vessel. With a wide power input range of 24/48/72/96/110VDC (operating range 20 to 137.5VDC), this product series is especially suitable for rolling stock and track side installations.

Features

- M12 and M23 connector against vibration and shock, M12 X-code for Gigabit port
- Cable diagnostics, identifies opens/shorts distance
- STP, RSTP, MSTP, ITU-T G.8031 ERP, ITU-T G.8032 Ethernet Protection Ring (ERPS) for redundant cabling
- Provides up to 5 instances that each supports μ-Ring, μ-Chain or Sub-Ring type for flexible uses.
(Please see CTC Union's μ-Ring white paper for more details)
- μ-Ring for Redundant Cabling, recovery time<10ms in 250 maximum devices
- Supports TTDP for train application
- Supports IEEE 1588 PTP V2 for precise time synchronization to operate in Ordinary-Boundary, Peer to Peer Transparent Clock, End to End Transparent Clock, Master, Slave mode by each port
- Supports EMS Management

Specifications

Standard	IEEE 802.3	10Base-T 10Mbit/s Ethernet
	IEEE 802.3u	100Base-TX, 100Base-FX, Fast Ethernet
	IEEE 802.3ab	1000Base-T Gbit/s Ethernet over twisted pair
	IEEE 802.1d	STP (Spanning Tree Protocol)
	IEEE 802.1w	RSTP (Rapid Spanning Tree Protocol)
	IEEE 802.1s	MSTP (Multiple Spanning Tree Protocol)
	ITU-T G.8032 / Y.1344	ERPS (Ethernet Ring Protection Switching)
	ITU-T G.8031 / Y.1342	EPS (Ethernet Protection Switching)
	IEEE 802.1Q	Virtual LANs (VLAN)
	IEEE 802.1X	Port based and MAC based Network Access Control, Authentication
	IEEE 802.3ac	Max frame size extended to 1522Bytes

EN50155 Managed PoE Switch

Standard	IEEE 802.3ad	Link aggregation for parallel links with LACP (Link Aggregation Control Protocol)																		
	IEEE 802.1AX	Link aggregation for parallel links with LACP (Link Aggregation Control Protocol)																		
	IEEE 802.3x	Flow control for Full Duplex																		
	IEEE 802.3af	PoE (Power over Ethernet)																		
	IEEE 802.3at	PoE+ (Power over Ethernet enhancements)																		
	IEEE 802.1ad	Stacked VLANs, Q-in-Q																		
	IEEE 802.1p	LAN Layer 2 QoS/CoS Protocol for Traffic Prioritization																		
	IEEE 802.1ab	Link Layer Discovery Protocol (LLDP)																		
	IEEE 802.3az	EEE (Energy Efficient Ethernet)																		
VLAN ID	4094	IEEE802.1Q VLAN VID																		
Switch Architecture	10.4 Gbps (Full wire-speed)																			
Data Processing	Store and Forward																			
Flow Control	IEEE 802.3x for full duplex mode Back pressure for half duplex mode																			
PoE Port	12x M12 (4-Pin D-code Female) PoE ports Maximum PoE output power budget 120W (30W/per port), Regulated PoE output voltage at 52VDC IEEE 802.3af / IEEE 802.3at End-Span, Alternative A mode																			
Network Connector	12x M12 (4-Pin, Female,D-Code) 10/100Base-TX UTP + 4x M12 (8-Pin, Female, X-Code) 10/100/1000Base-T UTP UTP port provides Auto negotiation speed, Auto MDI/ MDI-X, Full/Half duplex function Build-in 2x bypass GbE UTP ports (For -BP model optional)																			
Console	RS-232 (5-pin A-Code M12 male)																			
Network Cable	UTP/STP Cat. 5e cable or above EIA/TIA-568 100-ohm (100meter)																			
Protocols	CSMA/CD																			
Reverse Polarity Protection	Supported																			
Overload Current Protection	Supported																			
CPU Watch Dog	Supported																			
LED	System: Power 1 (Green), Power 2 (Green), Fault (Amber), CPU Act (Green), Ring Master (Amber) UTP: 10/100 Link/Active (Green), 1000 Link/Active (Amber) PoE: ON (Green)																			
Jumbo Frame	9.6KB																			
MAC Address Table	8K																			
Memory Buffer	512K Bytes for packet buffer																			
Device Memory	16M Bytes Flash ROM, 128M Bytes RAM																			
Power Supply	Provides 1x M23 (5-Pin, male) for redundant dual DC 24/48/72/96/110VDC (16.8~137.5VDC) wide input power Regulated PoE output voltage (52VDC) to stabilize PoE device, and guarantee delivery PoE power distance to 100 meter																			
Power Consumption	<table border="1"> <thead> <tr> <th>Input Voltage</th> <th>Total Power Consumption</th> <th>Device Power Consumption</th> <th>PoE Budget</th> </tr> </thead> <tbody> <tr> <td>24 VDC</td> <td>141.4W</td> <td>13W</td> <td>120W</td> </tr> <tr> <td>48 VDC</td> <td>137.9W</td> <td>14W</td> <td>120W</td> </tr> <tr> <td>110VDC</td> <td>136.4W</td> <td>16.5W</td> <td>120W</td> </tr> </tbody> </table>				Input Voltage	Total Power Consumption	Device Power Consumption	PoE Budget	24 VDC	141.4W	13W	120W	48 VDC	137.9W	14W	120W	110VDC	136.4W	16.5W	120W
Input Voltage	Total Power Consumption	Device Power Consumption	PoE Budget																	
24 VDC	141.4W	13W	120W																	
48 VDC	137.9W	14W	120W																	
110VDC	136.4W	16.5W	120W																	
Warning Message	System Syslog, SMTP/ e-mail event message, alarm relay																			
Alarm Relay Contact	5-pin A-code M12 male, Relay outputs with current carrying capacity of 1 A @24VDC																			
Operating Temperature	-40 ~ 75°C																			
Operating Humidity	5% to 95% (Non-condensing)																			
Storage Temperature	-40 ~ 85°C																			
Housing	Rugged Metal, Fanless, IP54 grade housing protection																			
Dimensions	113 x 260 x 132 (D x W x H)																			
Weight	2.8kg																			
Installation Mounting	Wall mounting																			
MTBF	238,600 Hours (MIL-HDBK-217)																			
Warranty	5 years																			

Certification

EMC	CE (EN55024, EN55032)
EMI (Electromagnetic Interference)	FCC Part 15 Subpart B Class A, CE
Railway Traffic	EN50155, EN50121-4
Fire protection of railway vehicles	EN 45545-2
Immunity for Heavy Industrial Environment	EN61000-6-2
Emission for Heavy Industrial Environment	EN61000-6-4
EMS (Electromagnetic Susceptibility) Protection Level	EN61000-4-2 (ESD) Level 3, Criteria B EN61000-4-3 (RS) Level 3, Criteria A EN61000-4-4 (Burst) Level 3, Criteria A EN61000-4-5 (Surge) Level 3, Criteria B EN61000-4-6 (CS) Level 3, Criteria A EN61000-4-8 (PFMF, Magnetic Field) Field Strength: 300A/m, Criteria A
4KV Surge Protection	Supported for PoE and UTP port
Shock	IEC-61373
Freefall	IEC 60068-2-32
Vibration	IEC-61373

Software Specifications

Topology

VLAN	IEEE 802.1q VLAN, up to 4094 802.1Q VLAN VID IEEE 802.1q VLAN, up to 4094 Groups IEEE 802.1ad Q-in-Q MAC-based VLAN, up to 256 entries IP Subnet-based VLAN, up to 128 entries Protocol-based VLAN(Ethernet, SNAP, LLC), up to 128 entries VLAN Translation, up to 256 entries Private VLAN for port isolation GVRP (GARP VLAN Registration Protocol) MVR (Multicast VLAN Registration) Voice VLAN
Link Aggregation (Port Trunk)	Static (Hash with SA, DA, IP, TCP/UDP port), up to 5 trunk group Dynamic (IEEE 802.3ad LACP), up to 5 trunk group Support IEEE802.1AX passive and active mode
Spanning Tree	IEEE802.1d STP, IEEE802.1w RSTP, IEEE802.1s MSTP
Multiple μ -Ring	Up to 5 instances that each supports μ -Ring, μ -Chain or Sub-Ring type for flexible uses, and maximum up to 5 Rings. Recovery time <10ms The maximum number of devices allowed in a Ring supported ring is 250.
Loop Protection	Supported
ITU-T G.8032 / Y.1344 ERPS (Ethernet Ring Protection)	Recovery time <10ms Single Ring, Sub-Ring, Multiple ring topology network
ITU-T G.8031 / Y.1342 EPS (Ethernet Protection Switching)	Supported

QoS Feature

Class of Service	IEEE802.1p 8 active priorities queues per port
Traffic Classification QoS	IEEE802.1p based CoS IP Precedence based CoS IP DSCP based CoS QCL(QoS Control List): Frame Type, Source/Destination MAC, VLAN ID, PCP, DEI QCE(QoS Control Entry): Protocol, Source IP, IP Fragment, DSCP, TCP/UDP port number
Bandwidth Control for Ingress	100~1,000,000 when the "Unit" is "kbps", and 1~1,000 when the "Unit" is "Mbps"
Bandwidth Control for Egress	100~1,000,000 when the "Unit" is "kbps", and 1~1,000 when the "Unit" is "Mbps" Rate Unit : bit Per queue / Per port shaper
DiffServ (RF 2474) Remarking	
Storm Control	for Unicast, Broadcast, Multicast

IP Multicasting Feature

IGMP / MLD Snooping	IGMP Snooping v1, v2, v3 / MLD Snooping v1, v2 Port Filtering Profile, Throttling Fast Leave Maximum Multicast Group : up to 1022 entries Query / Static Router Port
---------------------	--

Security Features

IEEE 802.1X	Port-Based, MAC-Based
ACL	Number of rules : up to 256 entries for L2 / L3 / L4 L2: Mac address SA/DA/VLAN L3: IP address SA/DA, Subnet L4: TCP/UDP
RADIUS	Authentication & Accounting
TACACS+	Authentication
HTTPS, HTTP	Supported
SSL / SSH v2	Supported
User Name Password Authentication	Local Authentication Remote Authentication (via RADIUS / TACACS+)
Management Interface Access Filtering	Web, Telnet / SSH, CLI, RS-232 console

Management Features

CLI	Cisco® like CLI
Web UI	Supported
Telnet	Server
SNMP	V1, V2c, V3
sFlow	Supported
Modbus/TCP	Supports for management and monitoring
SW & Configuration Upgrade	TFTP, HTTP Redundant firmware in case of upgrade failure
FTP client	Supports for upload/download configuration
RMON	RMON I (1, 2, 3, 9 group), RMON II
MIB II	RFC 1213
UPnP	Supported
BOOTP	Supported
DHCP	Server, Client, Relay, Relay option 82 , Snooping
RARP	Supported
TTDP	Supported (Train Topology Discovery Protocol)
IP Source Guard	Supported

Port Mirroring	Supported
Event Syslog	Syslog server (RFC3164)
Warning Message	System syslog, e-mail, alarm relay
DNS	Client, Proxy
IEEE1588 PTP V2	Supports 5 operating mode in each port : Ordinary-Boundary, Peer to Peer Transparent Clock, End to End Transparent Clock, Master and Slave
NTP, SNTP	Client
LLDP (IEEE 802.1ab)	Link Layer Discovery Protocol LLDP-MED

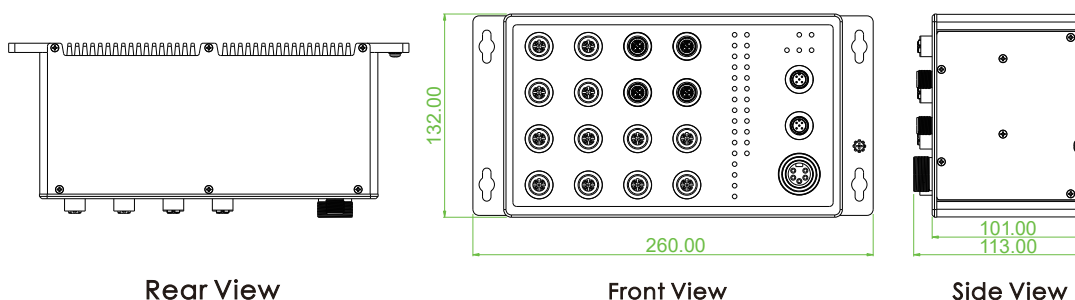
IPv6 Features

IPv6 Management	Telnet Server/ICMP v6
SNMP over IPv6	Supported
HTTP over IPv6	Supported
SSH over IPv6	Supported
IPv6 Telnet	Supported
IPv6 NTP, SNTP	Client
IPv6 TFTP	Supported
IPv6 QoS	Supported
IPv6 ACL	Number of rules: up to 256 entries for L2 / L3 / L4 L2: Mac address SA/DA/VLAN L3: IP address SIP, Subnet (32bit) L4: TCP/UDP

Others Features

Green Ethernet	Supports IEEE802.3az EEE (Energy Efficient Ethernet) Management to optimize the power consumption Determine the cable length and lowering the power for ports with short cables Lower the power for a port when there is no link LED Power Management :Adjustment LEDs intensity
Cable Diagnostic	Measuring UTP cable OK or broken point distance
Advanced PoE Management	PoE PD Failure Auto Checking, and Auto reset when PD fail PoE Scheduling (On/Off schedule weekly) PoE Configuration PoE Enable/Disable Power limit by classification Power limit by management Total PoE Power budge (maximum 120W) limitation Power feeding priority

Dimensions



Rear View

Front View

Side View

Ordering Information

Model Name	Managed	Protection	Total Port	FE Port	GbE Port		PoE Port		Redundant Dual Input Power 24/48/72/96/110VDC (16.8~137.5VDC)
				D-code M12	GbE X-code M12 UTP	GbE X-code M12 UTP Bypass	IEEE802.3at	PoE Total Power Budget	
ITP-1204GTM-12PHE-BP	V	IP54	16	12	2	2	12	120W	V

Model Name	Certification				
	EN45545-2	EN50155	EN61000-6-2/ EN61000-6-4	CE, FCC	IEC61373
ITP-1204GTM-12PHE-BP	V	V	V	V	V

Optional Accessories

Optional Cable/Connector

P/N: CAB-M12XM8-RJ45

M12 X-code Male (8-Pin) to RJ-45, AWG 24 ,IP67, 1 meter



For GbE UTP (X-code)

P/N: CAB-M12DM4-RJ45

M12 D-code Male (4-Pin) to RJ-45, AWG 24 ,IP67, 1 meter



For FE UTP

P/N: CAB-M12AF5-OPEN

M12 A-code Female (5-Pin) to open wire , AWG 22 , IP67, 1 meter



For Alarm

P/N: CAB-M23F5-OPEN

M23 Female (5-Pin) to open wire, (AWG 16) , IP67, 1 meter



P/N: M12D-M4

M12 D-code Male (4-Pin) connector, IP67



P/N: M12A-F5

M12 A-code Female (5-Pin) connector, IP67

