

INJ-IG03-PH

Industrial Gigabit IEEE802.3af/at Active to Passive PoE Converter

- ◆ Converts 48V IEEE802.3af/at PoE Input to 12/19/24V Passive PoE Output
- ◆ Compliant with 10/100/1000Base-T(X)
- ◆ Supports PoE Input IEEE802.3af/at A mode and B mode
- ◆ Selectable Passive PoE Output Voltage
- ◆ Selectable Passive PoE Output mode, A mode or B mode
- ◆ CE and FCC Certified



The industrial grade Gigabit Ethernet active-to-passive PoE converter INJ-IG03-PH can be powered by PoE power source equipment that passing the IEEE802.3af/at standard and converted into a 12/19/24Vdc 30W direct power output suitable for passive types PoE equipment. Plug and play, easy to use, no tools required, high reliability, suitable for deploying non-standard PoE devices, such as entry-level PoE cameras or wireless APs, as well as devices that require direct power supply through Ethernet but no protocol negotiation.

Features

- Converts 48V IEEE802.3af/at PoE Input to 12/19/24V Passive PoE Output (Figure 1)
- Supports input PoE IEEE802.3af/at A mode (1,2,3,6) or B mode (4,5,7,8)
- Selectable passive PoE output voltage, 12/19/24VDC select by slide SW
- Selectable passive PoE output mode, A mode (1,2,3,6,) or B mode (4,5,7,8) select by slide SW
- Compliant with 10/100/1000Base-T(X)
- CE, FCC, Railway traffic EN50121-4 certified
- Heavy industrial grade EMS, EMI, EN61000-6-2, EN61000-6-4 certified
- Wide operating temperature -40 ~ 75°C (INJ-IG03-PHE)
- IP30 rugged metal housing and fanless

Specifications

Standard	IEEE 802.3	10Base-T Ethernet
	IEEE 802.3u	100Base-TX Fast Ethernet
	IEEE 802.3ab	1000Base-T Gigabit Ethernet
	IEEE802.3af	PoE (Power over Ethernet)
	IEEE802.3at	PoE+ (Power over Ethernet enhancements)
PoE In	PoE Standard	PoE Standard IEEE 802.3af, IEEE802.3at
	RJ45 Pin Assignments	Supports both PoE A mode or B mode (don't need select) A mode: Positive (V+): RJ-45 pin 1, 2; Negative (V-): RJ-45 pin 3, 6 B mode: Positive (V+): RJ-45 pin 4,5; Negative (V-): RJ-45 pin 7,8
Passive PoE out		Supports 10/100/1000Base-T(X); Data (1, 2, 3, 6, 4, 5, 7, 8)
	PoE Pin assignment	A mode or B mode select by slide switch A mode : Positive (V+): RJ-45 pin 1, 2; Negative (V-): RJ-45 pin 3, 6 B mode : Positive (V+): RJ-45 pin 4,5; Negative (V-): RJ-45 pin 7, 8
	Output voltage	12, 19, 24VDC select by slide switch

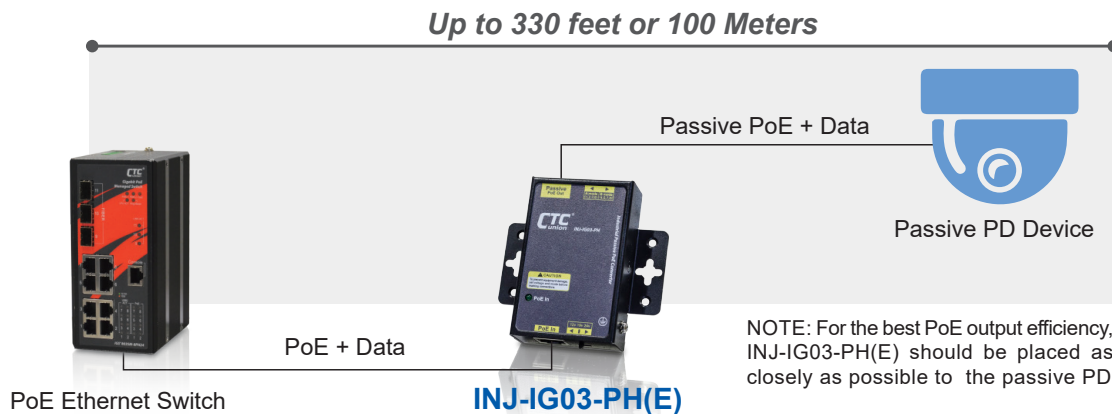
Industrial Active to Passive PoE Converter

74

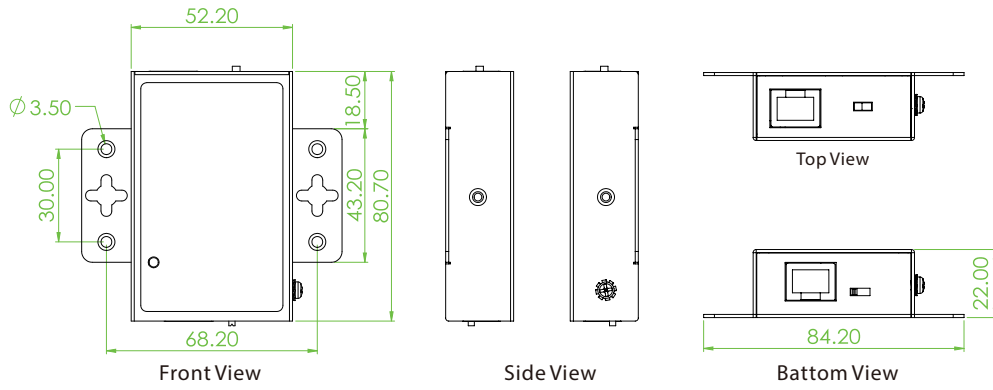
Network Cable	UTP/STP above Cat. 5e cable , up to 100meter (see Figure 1) EIA/TIA-568 100-ohm (100m)
LED	PoE in (Green)
Power Supply	Powered from PoE in, IEEE802.3af/at, 44~57VDC, 30W Max
Passive PoE out	12VDC, 0.8A (max); 19VDC, 0.8A (max); 24VDC, 0.8A (max)
Operating Temperature	-10 ~ 60°C (INJ-IG03-PH) -40 ~ 75°C (INJ-IG03-PHE)
Operating Humidity	5% to 95% (Non-condensing)
Storage Temperature	-40 ~ 85°C
Housing	Rugged Metal, IP30 Protection and fanless
Dimensions	22 x 84.2 x 80.7mm (D x W x H)
Weight	85g
Installation Mounting	Wall Mounting
MTBF	2,531,635 Hours (MIL-HDBK-217)
Warranty	5 years
Certification	
EMC	CE (EN55032, EN55035)
EMI	FCC Part 15 Subpart B Class A, CE
EMS (Electromagnetic Susceptibility) Protection Level	EN61000-4-2 (ESD) Level 3, Criteria B
	EN61000-4-3 (RS) Level 3, Criteria A
	EN61000-4-4 (EFT) Level 3, Criteria A
	EN 61000-4-5 (Surge) Level 3, Criteria B
	EN 61000-4-6 (CS) Level 3, Criteria A
Shock	IEC 60068-2-27
Freefall	IEC 60068-2-31
Vibration	IEC 60068-2-6

Application

Figure 1 : INJ-IG03-PH application topology



Dimensions



Ordering Information

Model Name	PoE In		Passive PoE Out			Certification	Operating Temperature
	10/100/1000 Base-T(X)	IEEE802.3 af/at	10/100/1000 Base-T(X)	Output Voltage Selectable 12/19/24VDC	PoE Pin Selectable A mode /B mode	CE, FCC	
INJ-IG03-PH	1	1	1	V	V	V	-10~60°C
INJ-IG03-PHE	1	1	1	V	V	V	-40~75°C