

ICR-W402

4G LTE, GPS, IEEE 802.11 b/g/n 2T2R Router

- ▲ Multi-band connectivity with LTE Cat 4 / FDD LTE/ TDD LTE/ WCDMA/ GSM
- ▲ IEEE 802.11b/g/n WiFi 2T2R
- ▲ Enhance security and encryption for authentication and transmission
- ▲ Provides dual SIM slots
- ▲ -30 ~ 70° C for using in harsh environments
- ▲ Compact size
- ▲ CE, RED certified



This compact, cost-effective, industrial grade 4G LTE router, ICR-W402, provides 2 LAN plus 1 WAN Fast Ethernet connections and supports uplink to 2G/3G/4G cellular mobile data networks. Built for harsh environments, the router is equipped with a DI/DO interface, has WiFi compliant with IEEE 802.11b/g/n and features VPN Tunneling with Firewall and management capability. The ICR-W402 is easy to configure through its embedded Web user interface. It provides highly secure authentication, encryption and management, to protect your data between public and private networks and simplifies your complicated solutions for smart city and industrial networking.

Features

- Highly reliable and secure for mission-critical cellular communications
- Compact and lightweight design with 2 LAN and 1 WAN Ethernet interfaces
- Supports multi-band connectivity with FDD LTE/ TDD LTE/ WCDMA/ GSM/ LTE Cat 4
- Provides IEEE 802.11b/g/n WiFi 2T2R
- LED indicators for connection and data transmission status
- Industrial temperature rated from -30 ~ 70° C for use in harsh environments
- Enhance security and encryption for authentication and transmission

Specifications

| | | |
|----------------|--|---|
| Standard | IEEE 802.3 | 10Base-T 10Mbit/s Ethernet |
| | IEEE 802.3u | 100Base-TX Fast Ethernet |
| | IEEE 802.1Q | Virtual LANs (VLAN) |
| | IEEE 802.3x | Flow control for Full Duplex |
| | IEEE 802.1X | Port based and MAC based Network Access Control, Authentication |
| LTE Interface | Cellular MobilComm standard: (Please see order information for optional area and band) 4G LTE: FDD-LTE, TDD-LTE 3G: WCDMA 2G: GSM/EDGE LTE Data rate: Cat 4, 150Mbps (Download), 50Mbps (upload) 2x SIM slots | |
| WiFi Interface | IEEE 802.11b/g/n WiFi Standards Supports AP, Client | |

4G & WiFi Router

| | |
|-----------------------|--|
| Hardware Interface | 2x SIM slots |
| | 2x LAN Fast Ethernet port |
| | 1x WAN Fast Ethernet port |
| | Reset Button for device reset |
| | 1x RS232 (TXD/RXD/GND) and 1x RS485 |
| | 2x SMA connectors for detachable LTE Antenna |
| | 2x RP-SMA for WiFi Antenna |
| | 1x SMA for GPS detachable Antenna |
| Housing | Rugged metal, Fanless, IP30 protection |
| Dimensions | 98 x 98 x 32mm (D x W x H) |
| Weight | 400g |
| Installation | DIN Rail mounting, or wall mounting (optional) |
| LED Display | 1x Power |
| | 1x System |
| | 2x LTE signal (Good/Poor) |
| | 3x Ethernet LED for each port (LINK/ACT) |
| Power Supply | Power Consumption: 7 Watt (Max) |
| | Power Input: 12/24VDC |
| Operating Temperature | -30 ~ 70°C |
| Storage Temperature | -40 ~ 85°C |
| Operating Humidity | 10 ~ 95% (non-condensing) |
| Warranty | 5 Years |

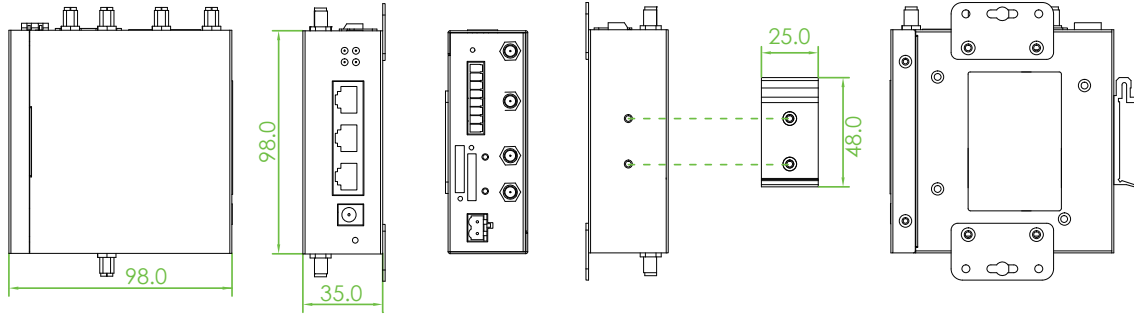
Certification

| | |
|--------------------|-----------------------|
| EMC | CE (EN55032, EN55035) |
| Radio | EN62311 |
| | RED ETSI EN301 489-1 |
| | RED ETSI EN301 489-17 |
| | RED ETSI EN301 489-19 |
| | RED ETSI EN301 489-52 |
| | RED ETSI EN301 511 |
| | RED ETSI EN301 908-1 |
| | RED ETSI EN301 908-2 |
| | RED ETSI EN301 908-13 |
| | RED ETSI EN300 328 |
| RED ETSI EN303 413 | |

Software Specifications

| | |
|-------------------|---|
| Network Protocols | IPv4, DHCP server and client, PPPoE, Static IP, NTP, VRRP |
| Routing/Firewall | NAT, DMZ, MAC Filter, URL Filter, IP Filter, VLAN, Static Routing |
| VPN | OpenVPN, IPSec, GRE, PPTP, L2TP |
| WiFi | Multiple SSID |
| | Security with WEP, WPA, WPA2, WPA-PSK, WPA2-PSK |
| | Supports WiFi AP mode, Client mode |
| Others | DDNS, UPnP, GPS TCP Push, MQTT |
| Management | Web GUI for remote and local management |
| | Syslog monitor |
| | Remote management via SSH v2, HTTPS |
| | Local management via Telnet, SSH v2, HTTP/HTTPS |

Dimensions



Side View Front View Left View Rear View DIN-Rail Kit View Wall-Mount Kit View (Optional Accessory)

Ordering Information

| Model Name | Managed | WAN | | LAN | | | Certification | |
|--------------|---------|---------------------------|----------------|------------------------|----------------|-------|---------------|-----|
| | | Cellular Mobile Band | 10/100 Base-TX | WiFi IEEE 802.11 b/g/n | 10/100 Base-TX | DI/DO | CE | RED |
| ICR-W402-EUX | V | see Region code table-EUX | 1 | 1 | 2 | 1 | V | V |
| ICR-W402-AUX | V | see Region code table-AUX | 1 | 1 | 2 | 1 | V | V |

Region Code Table

| Region Code | 4G LTE | | 3G | 2G | Region |
|-------------|--|---------------------------------|--|--------------------------------------|---|
| | FDD LTE | TDD LTE | WCDMA | GSM / EDGE | |
| EUX | B1(2100), B3(1800), B28A(700), B7(2600), B8(900), B20(800) | B38(2600), B40(2300), B41(2500) | B1(2100), B8(900) | B3(1800), B8(900) | Europe, Africa, Middle East, Korea, Thailand, India |
| AUX | B1(2100), B2(1900), B3(1800), B4(1700), B5(850), B7(2600), B8(900), B28(700) | B40(2300) | B1(2100), B2(1900), B5(850), B8(900), B4(1700) | B2(1900), B3(1800), B5(850), B8(900) | ANZ, South America, Taiwan |

Optional Accessories

Antenna Accessories

ANT-BASE-01 Antennas Base with Magnetic, SMA (Male) connector, 1.5meter for 4G LTE extension



Industrial Power Supply

MDR-20-24 Industrial Power, Input 85 ~ 264VAC/120 ~ 370VDC, Output 24VDC, 20W, -20 ~ +70°C