

GSW-3424MP



**24 × GbE/RJ45 + 4 × 1G SFP with 24 × PoE+ (450W)
L2+ Managed Ethernet Switch**



The high-density version of managed power over Ethernet switch in best cost performance ratio, GSW-3424MP, is designed for SMB and enterprise network application. Each Ethernet copper port complies with IEEE 802.3at standard to supply 30W power injection maximum.

The GSW-3424MP is equipped with 24 × Gigabit RJ45 ports and 4 × 1G SFP based fiber optics ports. It is featured completely L2+ switch functionality which guarantees high network availability, secured robust network access and comprehensive QoS in the network edge. Also, the GSW-3424MP can be managed by CTC in-house developed Smartview EMS, which offers a user-friendly and centralized device management platform. It makes the administrators be able to monitor and configure the switches remotely.

Features

- 24 × RJ45/PoE+ ports with 450W power budget totally
- Cable diagnostics to test UTP cable or determine broken point distance
- Text based CLI configuration download and upload
- Advanced PoE management
 - PoE PD failure auto check and reset if PD failed
 - PoE port on/off scheduling
 - PoE configuration for power planning

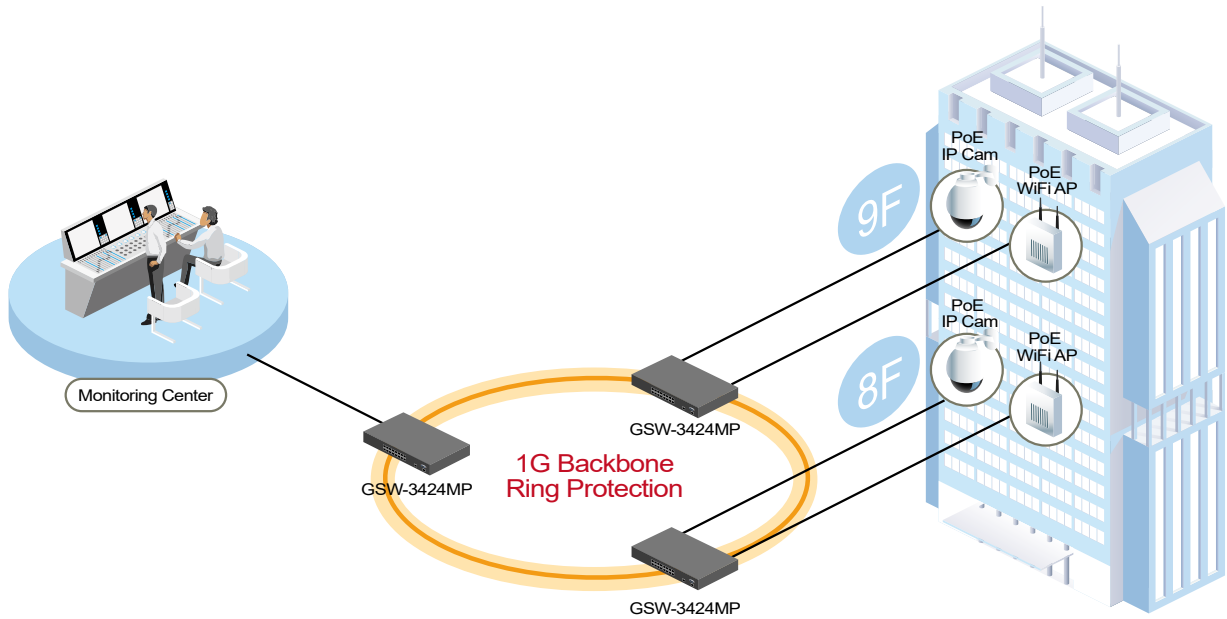
Specifications

Interface	Fiber port: 4x 1Gbps SFP uplink	
	Copper port: 24x 10/100/1000Base-T RJ45	
	Management port: 1x 10/100/1000Base-T RJ45	
	Console port: 1x RS-232 in RJ45	
PoE Power Budget	450W	
Switching Fabric Capacity	56Gbps	
Packet Forwarding Rate	14880pps	@10Mbps
	148800pps	@100Mbps
	1488000pps	@1000Mbps
Transmission Method	Store and Forward Switching	
Packet Buffer	32M bits	
MAC Table Size	32K	
Jumbo Frame Size	10K Bytes	
VLAN Feature	IEEE 802.1Q tagged VLAN (4K VLAN groups), IEEE 802.1ad QinQ VLAN, Voice VLAN	
	MAC based VLAN, Protocol based VLAN, Voice VLAN, MAC based VLAN, Protocol based VLAN	
	IP subnet based VLAN, Private VLAN for port isolation, VLAN translation, GVRP (GARP VLAN registration protocol)	
Link Aggregation	Static trunk (SA, DA, IP, TCP/UDP port), IEEE 802.3ad LACP	
	14 LACP trunk groups Max; 8 port Max. per LACP trunk group	
L2 Switching Protection	IEEE 802.1D STP/IEEE 802.1w RSTP/IEEE 802.1s MSTP, Loop Protection	
QoS Feature	Hard wired IEEE 802.1p 8 priority queues per port, Traffic scheduling based on strict/WRR priority	
	CoS based traffic classification on switch port, VLAN, ID, DSCP, TCP/UDP port	
	IEEE 802.1p priority tag remarking, DSCP remarking	
	Per port/queue based ingress/egress rate limit in steps of 100kbps, IEEE 802.3x flow control	
	Multicast/Broadcast/Unicast storm policing with flooding control	

L2+ Managed PoE Switch

Security	Static port security (MAC based), Per port limited MAC learning Port based/MAC base/single/multiple IEEE 802.1x access control 512 ACL rules based on L2~L4 information, RADIUS/TACACS+ AAA HTTPs & SSH v2, IP/MAC binding, IP source guard & ARP inspection
IP Multicasting	IGMP snooping v1/v2/v3, IGMP proxy, MLD snooping v1/v2, IGMP fast leave IGMP query, IGMP filtering/throttling, MVR (Multicast VLAN Registration)
Management	WebGUI/Telnet CLI interface, SNMP v1/v2c/v3, RMON I (1,2,3,9 groups), RFC1213 MIB II, Private MIB DHCP client/snooping/relay option 82, TFTP/HTTP based firmware and configuration upgrade Port mirroring, RSPAN, Event syslog server, DNS client/proxy, NTPv4 client, UPnP IPv4/IPv6 management, SFF-8472 DDMI, IEEE 802.1ab LLDP Text based CLI configuration download and upload
Advanced PoE Management	PoE PD failure auto check and reset if PD failed, PoE port on/off failure, PoE port enable/disable Power limit by PD classification, Totally PoE power budget limitation (450W maximum) Power feeding priority
Power Input	AC power input (100~240V)
Power Consumption	490 Watts @ PoE full load
Operating Temperature	0~50°C
Storage Temperature	-25~70°C
Humidity	5%~95% (non-condensing)
Dimension	440 × 280 × 43.5 mm (W×D×H)
Certification	CE, FCC class A

Application



Ordering Information

Model Name	Description
GSW-3424MP	24 × GbE/RJ45, PoE+ + 4 × 1G SFP L2+ Managed PoE Switch