

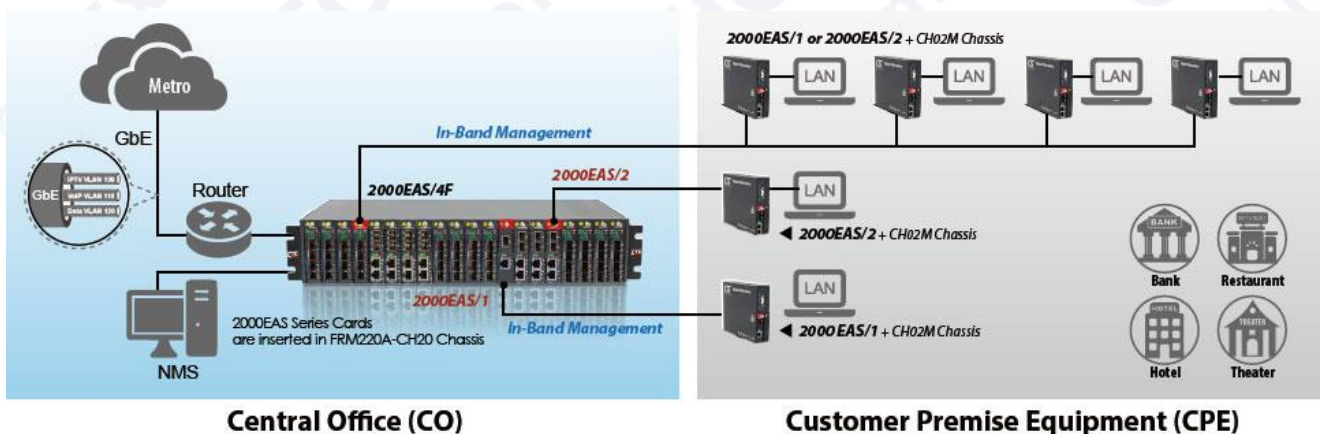
Newsletter



Taipei, Taiwan - CTC Union Technologies, a leading designer and manufacturer of telecommunications, data communications and industrial grade networking products, today launches new series of **OAM/IP Gigabit Ethernet Managed Switch**.

The FRM220A-2000EAS/1, FRM220A-2000EAS/2 and FRM220A-2000EAS/4F are Managed Gigabit Ethernet slide-in switch cards that provide 1/2x 10/100/1000Base-T + 1/2x 100/1000Base-X SFP or 4-port 100/1000Base-X SFP.

With embedded SNMP and Web-based management, the administrator can monitor, configure, and control the activity of each switch card both locally and remotely. Based on a powerful L2+ switch architecture, these switches support bandwidth control, speed configuration, VLAN tagging, Q-in-Q, QoS, Spanning tree, loop detection/prevention, jumbo frames as well as auto laser shutdown, link fault pass through, OAM loop back and dying gasp. The CTC UNION's OAM/IP Gigabit Ethernet Managed Switches can greatly reduce operating costs and make them ideal for both carriers and enterprises.



Press Contact:

CTC Union Technologies Co., Ltd.
 TEL: +886-2-2659-1021
 FAX: +886-2-2659-0237
 Marc Yang & Frances Hsu
 Email: marketing@ctcu.com



facebook



Website