



# FRM220-OAB15

Single Channel EDFA Booster

The FRM220-OAB15 is a FRM220 chassis rack managed single channel Erbium Doped Fiber Amplifier (EDFA) booster line card for C-band. It has a large dynamic range while providing excellent broadband noise performance. It provides Automatic constant output Power Control (APC) and Automatic Constant Current (ACC) via rack management or RS-232 console interface. Its fast transient suppression feature allowing the output power to be kept at a constant level when there are fast changes in input power.

## // Features

- Single channel EDFA with FRM220 chassis rack management
- Up to 15 dBm output power
- Output level constant control mode
- Output current constant control mode
- Low noise figure
- Low power dissipation

## ■ Applications

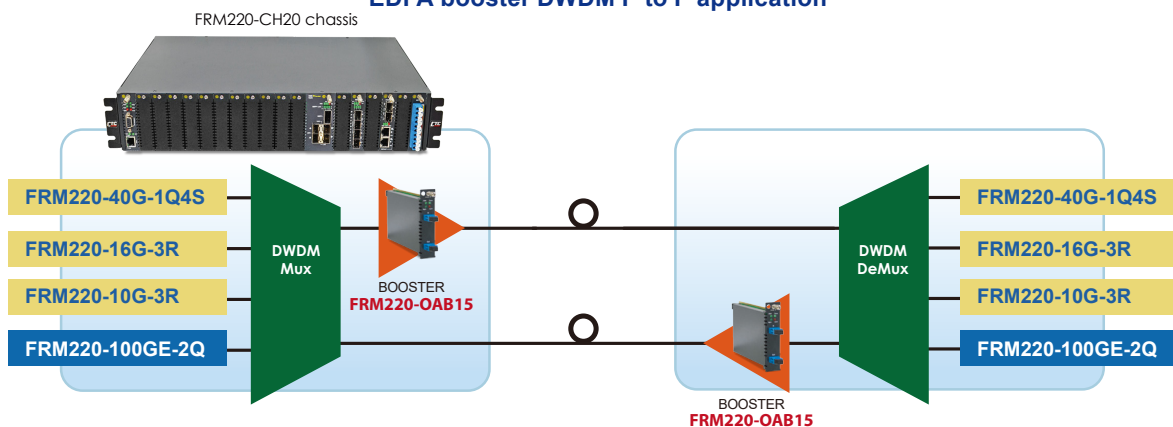
- Booster Amplifier for 10Gbps, 40Gbps, and 100Gbps applications
- Long haul C - band DWDM applications

## // Specifications

Parameter	Specifications		Remarks
	Min.	Max.	
Wavelength Bandwidth	1528nm	1562nm	
Input Power Range	-10dBm	0dBm	
Output Power Range		+15dBm	@ Input Power = -6~0dBm
Noise Figure		7.0dBm	@ -6dBm input with 16dB gain
PDG		0.5dBm	
PMD		0.5ps	
Power Consumption		2W	
Operation Temperature	-5°C	+70°C	
Storage Temperature	-20°C	+70°C	
Transportation Temperature	-40°C	+85°C	72 hrs max.
Dimensions	159.5 × 20.8 × 88 (D×W×H)		

## // Application

### EDFA booster DWDM P to P application



Model Name	Description
FRM220-OAB15	DWDM C-band EDFA Booster card 15dBm