

## FRM220-25G-3R

### 25G 3R Multi-rate Transponder



4

The FRM220-25G-3R has 4x SFP28 slots that can be configured as a dual channel 25G 3R/2R multi-rate transponder. The device provides a flexible transmission of various protocols, such as 10G/25G Ethernet, Fiber Channel 16G/10G and CPRI x20/x16/x10 etc. Using SFP28 ports with dedicated CWDM or DWDM wavelengths, the 25G transponder supports multi-rate functionality with optical data rates from 1.25Gbps up to 25Gbps. With its functionality the FRM220-25G-3R transponder is also suitable as a repeater for transmission over extended distances. The FRM220-25G-3R can be inserted into any powered FRM220-CH20, CH08, CH04A chassis or CH02M, CH02/SMT standalone chassis with SFP28 transceivers required for the application.

### Features

- Multi-rate supports 1.25Gbps ~ 25Gbps
- Protocol Transparent 3R/2R Transponder / Repeater
- Supports dual channels mode
- Supports Loopback Test
- Support BERT test
- Supports 1550nm ITU-T C-band tunable DWDM SFP+ Transceiver
- SFP DDM Information
- Firmware Upgrade
- Setting from Console, NMC

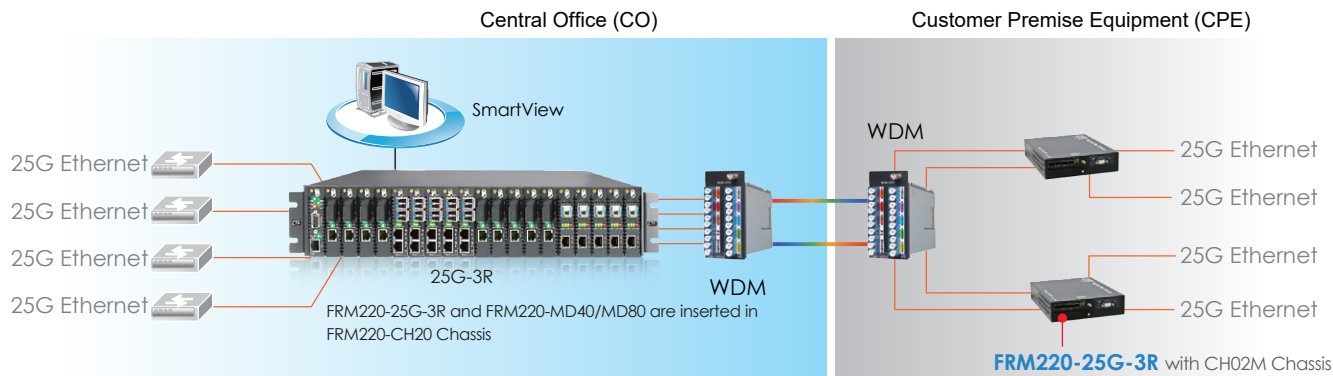
### Specifications

<b>Optical Interface</b>	Connector	LC (SFP, SFP+, SFP28)
<b>Operation mode</b>	Dual channel mode	Ch1 SFP1 line/SFP2 client, Ch2 SFP3 line/SFP4 client
<b>Protocol</b>	3R mode : Ethernet 10GE (10.3125Gbps), 25GE (25.78152Gbps) CPRI : x20 (10.137Gbps), x16 (9.8304Gbps), x10 (6.144Gbps) Fiber channel 16GFC (14.025Gbps), 10GFC (10.518Gbps)	
	2R mode : 1.25Gbps ~ 25Gbps (Protocol Transparent)	
<b>Regeneration</b>	3R : Re-Amplification, Re-Shaping, Re-Timing 2R : Re-Amplification, Re-Shaping	
<b>Indications</b>	LED : Power, System, Mode, Test, FX1 link, FX2 link, FX3 link, FX4 link	
<b>Power</b>	Input : 12V/1A	
<b>Power Consumption</b>	2ch working mode < 4.5W (not included SFP) Line card Standby mode < 2W	
<b>Dimensions</b>	Card : 155 x 20.8 x 88mm (DxWxH)	
<b>Weight</b>	150g	
<b>Environment</b>	Operating Temperature 0 ~ 50°C Storage Temperature -10 ~ 70°C Humidity 10 ~ 90%	
<b>Certification</b>	CE, FCC	
<b>MTBF</b>	65,000 hrs	

## Application

### 25G-3R CWDM P to P application

4



## Ordering Information

Model Name	Description
FRM220-25G-3R	25G 3R multi-rate transponder card (optional SFP28)

**NOTE:** This card may be placed in CH02M, CH04A chassis with fan. For SNMP management, place this card in CH02/NMC or CH04A Chassis.