

INJ-SPL01

GbE, IEEE802.3af/at PoE Splitter, output voltage 12/19/24VDC selectable

- ▲ Splits power and data from PoE Input
- ▲ Supports PoE IEEE802.3af/at A mode (1, 2, 3, 6) or B mode (4, 5, 7, 8)
- ▲ Selectable output voltage, 12/19/24VDC select by slide SW
- ▲ Compliant with 10/100/1000Base-T(X)
- ▲ IP30 rugged metal housing and fanless
- ▲ EN50121-4, EN61000-6-2, EN61000-6-4, CE and FCC certified



The industrial-grade Gigabit Ethernet PoE splitter INJ-SPL01 can be powered by PoE power source equipment passing the IEEE802.3af/at standard, separating data transmission and 12/19/24Vdc power to non-PoE equipment. It is designed for harsh environments and can be used in industrial networks, traffic monitoring, safety automation applications, urban security, and smart transportation systems. It is also suitable for many military or utility market applications where environmental conditions exceed commercial product specifications.

Features

- Splits power and data from PoE Input
- Supports PoE IEEE802.3af/at A mode (1, 2, 3, 6) or B mode (4, 5, 7, 8)
- Selectable output voltage, 12/19/24VDC select by slide SW
- Supports output power upto 12VDC/1.4A, 19VDC/1.05A, or 24VDC/0.85A
- Compliant with 10/100/1000Base-T(X)
- CE, FCC, Railway traffic EN50121-4 certified
- Heavy industrial grade EMS, EMI, EN61000-6-2, EN61000-6-4 certified
- Wide operating temperature -40 ~ 75° C (INJ-SPL01-E)
- IP30 rugged metal housing and fanless

Specifications

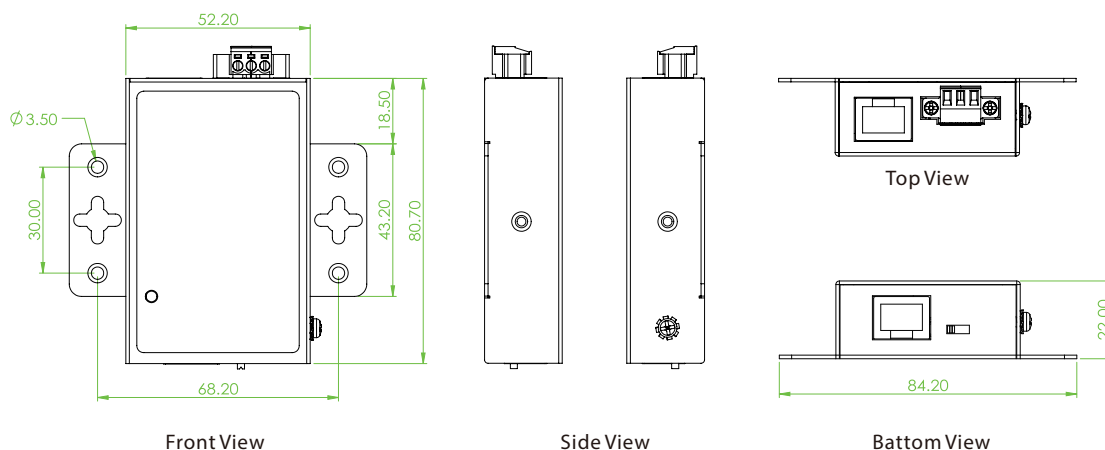
Standard	IEEE 802.3	10Base-T Ethernet
	IEEE 802.3u	100Base-TX Fast Ethernet
	IEEE 802.3ab	1000Base-T Gigabit Ethernet
	IEEE802.3af	PoE (Power over Ethernet)
	IEEE802.3at	PoE+ (Power over Ethernet enhancements)
PoE In	PoE Standard	PoE Standard IEEE 802.3af, IEEE802.3at
	RJ45 Pin Assignments	Supports both PoE A mode or B mode (don't need select) A mode: Positive (V+): RJ-45 pin 1, 2; Negative (V-): RJ-45 pin 3, 6 B mode: Positive (V+): RJ-45 pin 4, 5; Negative (V-): RJ-45 pin 7, 8 Supports 10/100/1000Base-T(X); Data (1, 2, 3, 6, 4, 5, 7, 8)
Output voltage & power	12, 19, 24VDC select by slide switch 12VDC: 1.4A, 19VDC: 1.05A, 24VDC: 0.85A with Removable terminal block	
Data out	RJ45 10/100/1000Base-T(X)	
Network Cable	UTP/STP above Cat. 5e cable	
	EIA/TIA-568 100-ohm (100m)	
LED	PoE in (Green)	
Power Supply	Powered from PoE in, IEEE802.3af/at, 44~57VDC, 30W Max	

Output Power	12VDC, 1.4A (max); 19VDC, 1.05A (max); 24VDC, 0.85A (max)
Operating Temperature	-10 ~ 60°C (INJ-SPL01) -40 ~ 75°C (INJ-SPL01-E)
Operating Humidity	5% to 95% (Non-condensing)
Storage Temperature	-40 ~ 85°C
Housing	Rugged Metal, IP30 Protection and fanless
Dimensions	22 x 84.2 x 80.7 mm (D x W x H)
Weight	85g
Installation Mounting	Wall Mounting
MTBF	3,371,427 Hours (MIL-HDBK-217)
Warranty	5 years

Certification

EMC	CE (EN55032, EN55035)
EMI	FCC Part 15 Subpart B Class A, CE
Railway Traffic	EN50121-4
Immunity for Heavy Industrial Environment	EN61000-6-2
Emission for Heavy Industrial Environment	EN61000-6-4
EMS (Electromagnetic Susceptibility) Protection Level	EN61000-4-2 (ESD) Level 3, Criteria B
	EN61000-4-3 (RS) Level 3, Criteria A
	EN61000-4-4 (EFT) Level 3, Criteria A
	EN 61000-4-5 (Surge) Level 3, Criteria B
	EN 61000-4-6 (CS) Level 3, Criteria A
	EN61000-4-8 (PFMF) Field strength 300A/m Criteria A
Shock	IEC 60068-2-27
Freefall	IEC 60068-2-31
Vibration	IEC 60068-2-6

Dimensions



Ordering Information

Model Name	PoE In		Power & Data Out		Certification			Operating Temperature
	10/100/1000 Base-T(X)	IEEE802.3 af/at	10/100/1000 Base-T(X)	Output Voltage selectable 12/19/24VDC	EN50121-4	EN61000-6-2 EN61000-6-4	CE, FCC	
INJ-SPL01	1	1	1	V	V	V	V	-10~60°C
INJ-SPL01-E	1	1	1	V	V	V	V	-40~75°C