

New Product

4/8× RS232 to IP Device Server

-STE400A-232 / STE800A-232

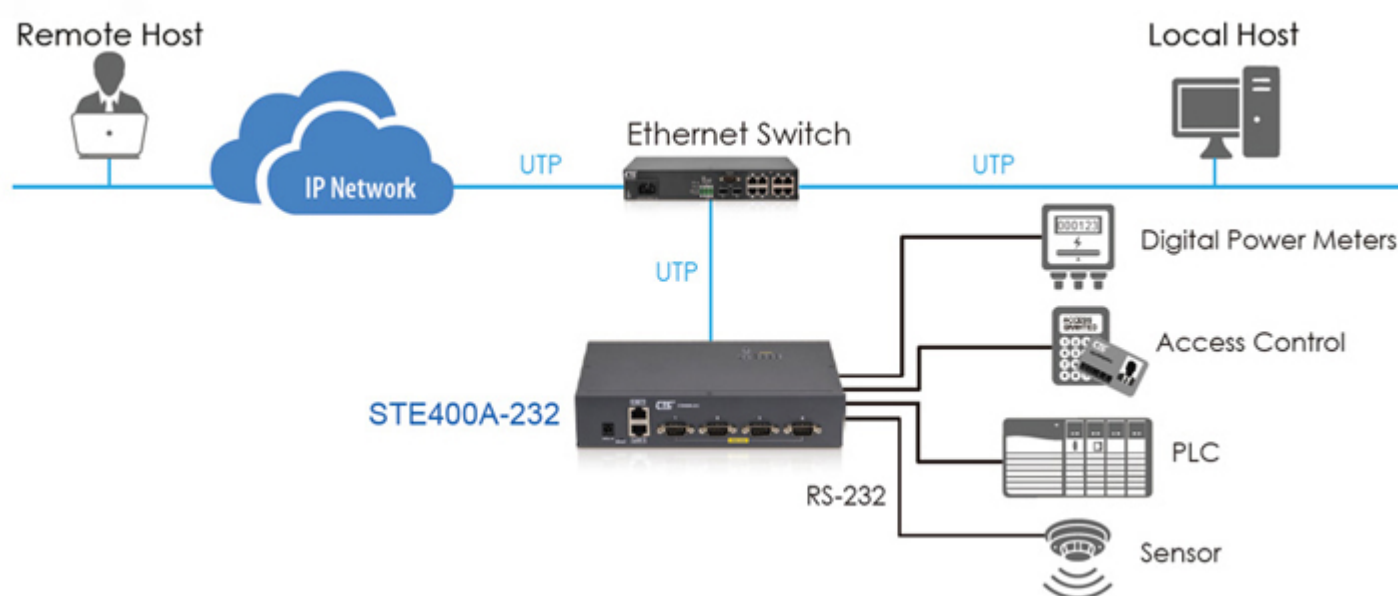
- 230.4kbps Serial Interface
- Supports Virtual COM
- Supports RS232 Interface with DB9M
- Low Power Consumption

[More](#)



The STE400A-232 / STE800A-232 are 4 or 8-port RS232 to IP Device Servers that enable the ability to control asynchronous RS-232 (3 or 5 wire) devices located virtually anywhere over a TCP/IP connection. The STE400A-232 / STE800A-232 have 4 or 8 DB9 serial ports and a 10/100 Mbps Ethernet connection on the same side.....[\(more\)](#)

Application — Multi-Port Device Server



Related Products

Serial Device Server

STE100A-Serial

RS232/485 to IP Device Server



Key Features

- 10/100Mbps Ethernet port
- 230.4kbps serial interface
- TCP Server, TCP client, Virtual com mode, UDP
- Supports for DHCP, HTTP, ICMP, ARP, IP, UDP, TCP

[More](#)

Serial Device Server

STE100A-232

RS232 to IP Device Server



Key Features

- 10/100Mbps Ethernet port
- 110~230.4k Baud asynchronous RS-232 interface
- Installation and management via Web Browser
- TCP Server, TCP client, Virtual COM, UDP modes

[More](#)

Promotion Materials

Product Selection Guide

2021 Product Selection Guide are now available. The guide present all the product selection table and two lines of CTC's products.



- Telecom Product
- Industrial Product

Product EDM

Telecom Product EDMs are now available. For more information, please click below path to access.



- High Density Modular Eth. Switch Solution
- FRM220 Series
- FRM220A Series
- L2+ Ethernet Switch
- WDM Multi-Service Platform

Hot Products

FRM220-100GE-2Q
100G Transponder Card



[more](#)

FRM220-CCF40/20
4/2 ch. Contact Closure Fiber Converter



[more](#)

FRM220-TM-10GMux
7x GE to 10G Muxponder



[more](#)

FRM220-OPS51M
1:1 Multi-mode Optical Protection Switch



[more](#)

MSW-4428X
L2+ 10G Carrier Ethernet



[more](#)

MSW-4424CS
10G Carrier Switch with SyncE



[more](#)

Optical Path Converter
OPC-1300/1400/1500



[more](#)

ICR-W401
4G LTE, WiFi Router



[more](#)



Marketing Resource Center



e-Catalog



Facebook
Twitter
LinkedIn
Youtube



Product Inquire

For further information, please visit www.ctcu.com. For any inquiry, please contact sales@ctcu.com.
If you would prefer not to receive further newsletters, [please click here to unsubscribe](#).
CTC Union respects your privacy. You can visit our [Privacy Policy](#) for more information.

23. August. 2021